

Model 3478

# Seat sling PVC

Enjoy your bath in comfort



- Made of PVC for flexibility, strength and easy maintenance
- Slight recline position offers safe support during lifting
- Fits into wheelchair or chair for ease of use
- Seat is perforated to let water flow out...dries easily
- Can be used with all Handi-Move Lift & Care Systems
- Assumes the form of the bath
- Reinforced seating surface and backrest

Lift & Care systems for people with reduced mobility

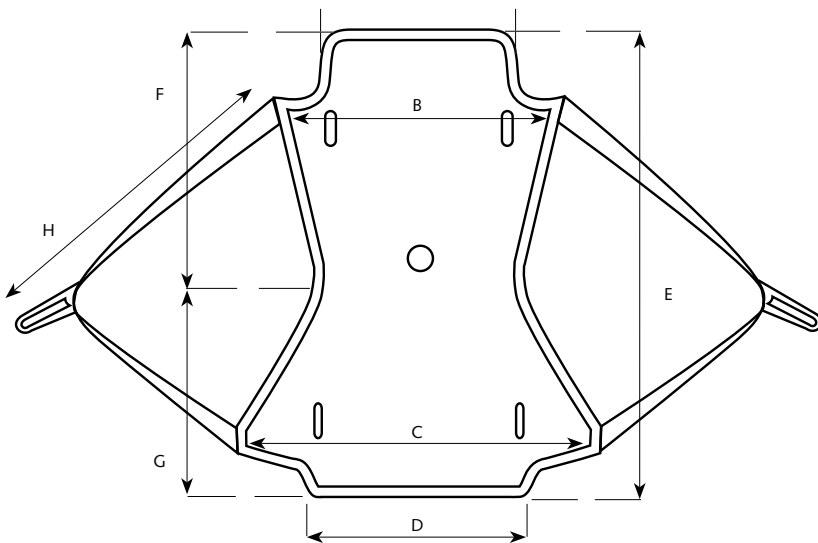
[www.handimove.com](http://www.handimove.com)

# Seat sling PVC

## ● Dimensions and specifications

A.....	38 / 14.96 (cm / inch)
B.....	58 / 22.83
C.....	65 / 25.59
D.....	38 / 14.96
E.....	101 / 39.76
F.....	60 / 23.62
G.....	41 / 16.14
H.....	60 / 23.62

Material: PVC, polyester, plastic  
 Maximum load: 225 kg / 496 Lbs



For free demonstration or further information