

Model 2845

## Portable ceiling hoist with "tarzan" system

Modified version of the portable motor for two adjoining rooms:  
the solution for getting through doors



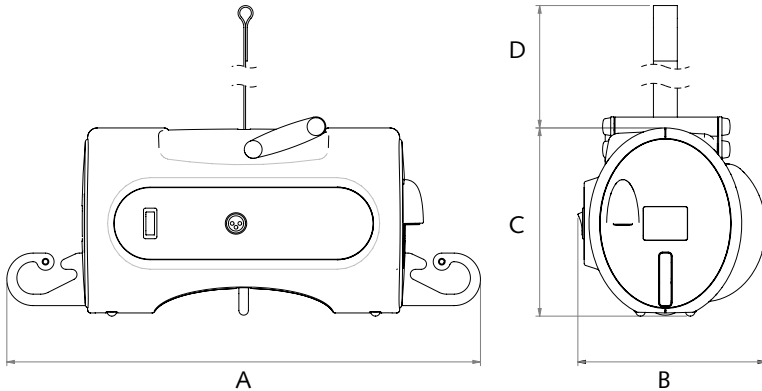
- The "tarzan" system: modified version of the portable motor, for lifting between two rooms with a classic doorway.
- No need to modify the doorway (no need to extend the ceiling track rails).
- Direct movements between different rooms (usable at bed, bath, toilet, shower...).
- In combination with the Handi-Move Body Support® or slings.
- Light and compact, yet powerful: lifting up to 182 kg.
- Budget-friendly: one motor for several rooms.
- Aesthetic: streamlined timeless design.

Lift & Care systems for people with reduced mobility

[www.handimove.com](http://www.handimove.com)

# Portable ceiling hoist with "tarzan" system

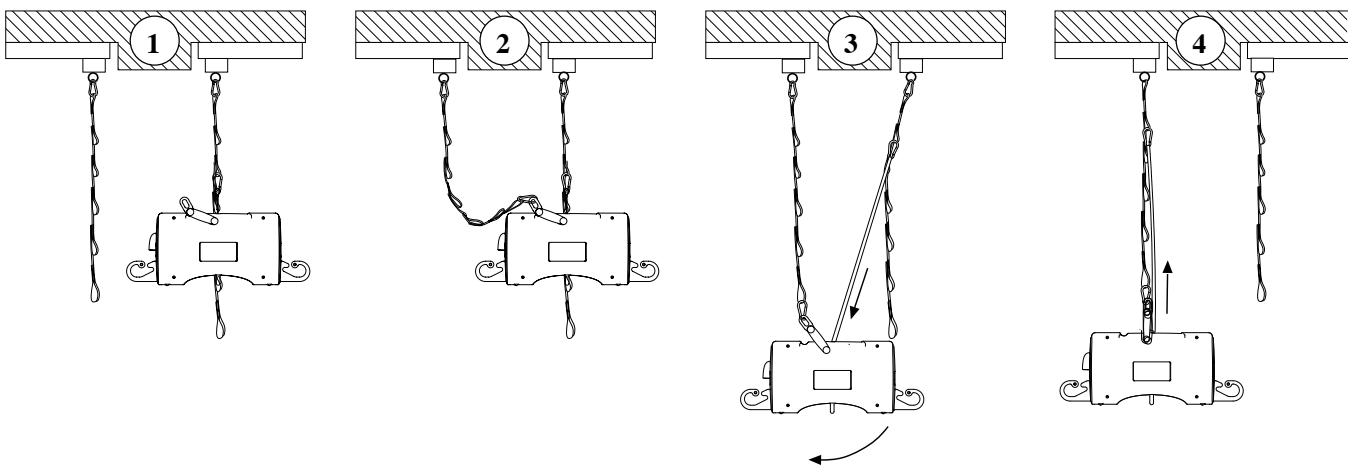
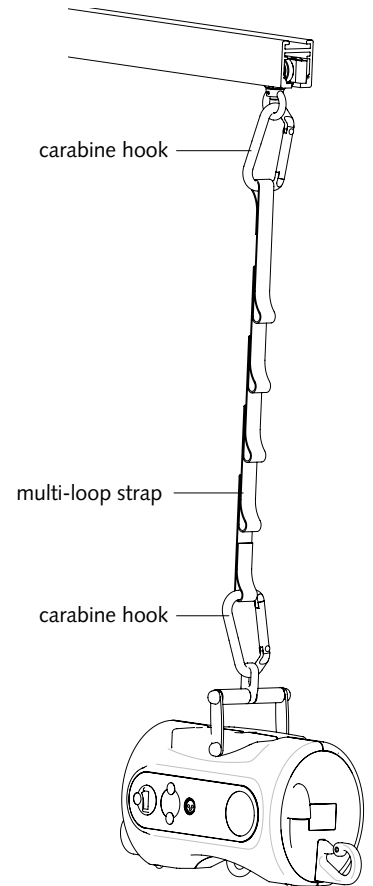
## ● Dimensions



A	480 mm
B	200 mm
C	210 mm
D	1550 mm

## ● Specifications

Weight ..... 8 kg  
 Max. Lifting Capacity ..... 182 kg  
 Batteries ..... 2 x 12 VDC/3.2 Ah.  
 Charger: ..... input 220 V AC / output 24 V DC  
 Number of lifts with full batteries ..... 50 x with 100 kg over a distance of 50 cm  
 Motor cover ..... ABS  
 Overhead rail ..... Aluminium alloy, white laquered



## ● With slings or Body Support

Thanks to the integrated hooks on both sides of the motor and the swivel hook placed centrally at the bottom, the motor can be used with all slings or with the Handi-Move Body Support.

For free demonstration or further information

