

Model 1002



Transport cart for portable motor

Move to another room with the portable motor without difficulty



- Avoids physical effort by the care worker.
- Ideal for unhooking the portable motor and moving it to another room.
- Manufactured in stainless steel.
- Movable.
- Compact.

Lift & Care systems for people with reduced mobility

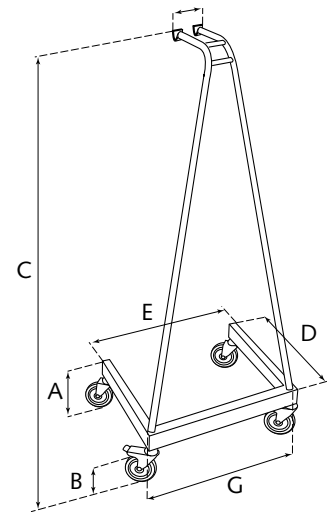
www.handimove.com

Transport cart for portable motor

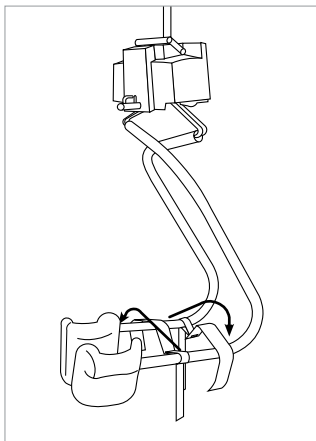
● Dimensions and specifications

A.....	Base height:.....	19 cm
B.....	Castor height:.....	13 cm
C.....	Overall height:.....	126,5 cm
D.....	Base length:.....	41 cm
E.....	Base width:.....	51 cm
F.....	Top width:.....	9 cm
G.....	Bottom width:.....	50 cm

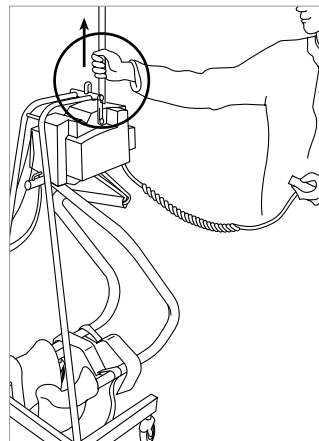
Material:..... stainless steel
 Weight:..... 7,5 kg



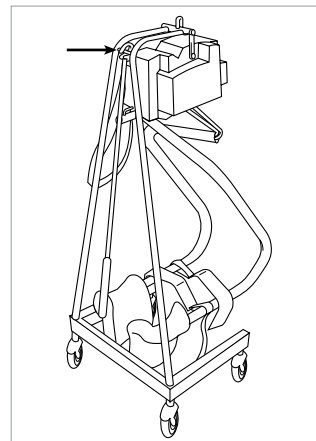
● Instructions for use



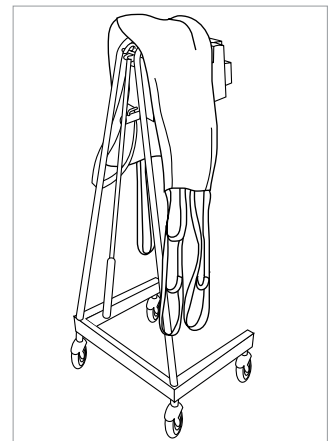
Hang the leg supports over the opposite arm of the frame.



Allow the handgrip of the portable motor to fall down into the holder.
 Caution: You need to pull slightly on the motorband, whilst pressing the down button of the hand control in order to remove the reacher.



Hang the reacher on the transport cart and move to another room.



Alternatively:
 The transport cart can also be used in combination with a sling.

For free demonstration or further information

