

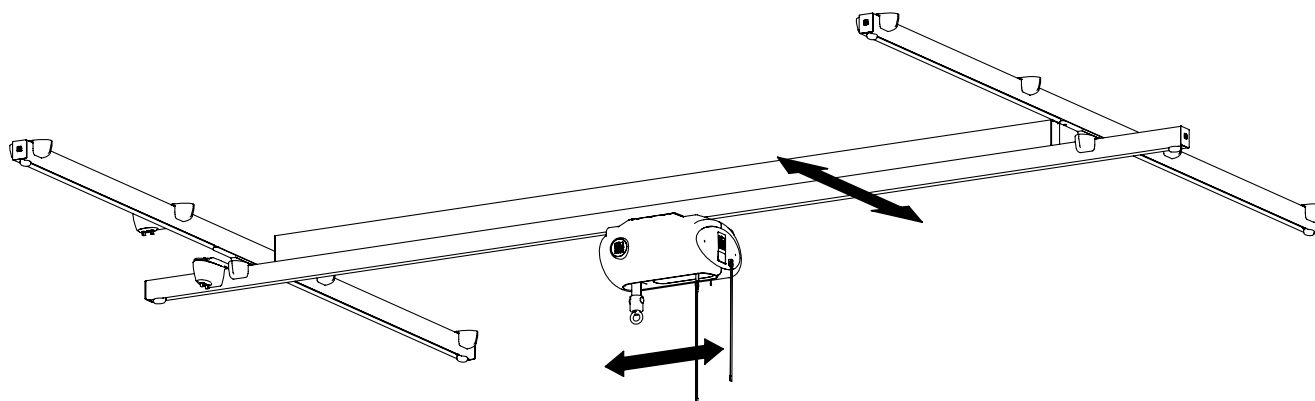
Traverse rail

Full Room Coverage

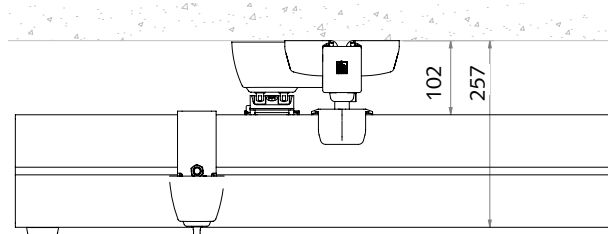
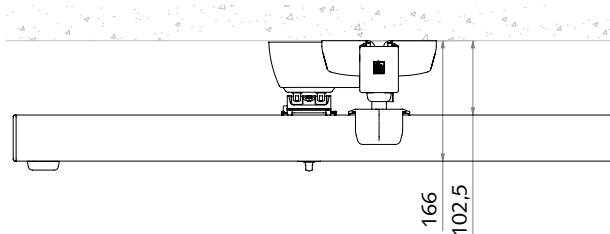
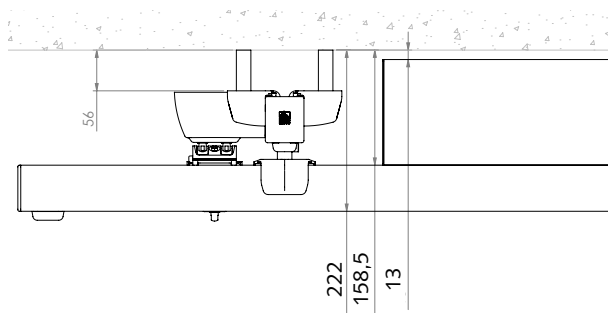
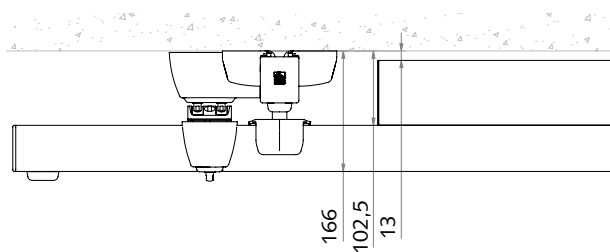


- A traverse rail system makes it possible to transfer anywhere in the room
- Parallel rails can be mounted to the ceiling, or wall to wall
- A manual version is easy to use with little effort from the caregiver
- An electric version is available so the entire system can be used independently
- Accessing an adjoining room is possible with the optional traverse connection

Traverse rail



● Dimensions (mm)



● Technical specifications

Safe working load240 kg
 MaterialAluminum painted, ELVZ steel, ABS

For free demonstration or further information

